

Notice – Sub IG module Launch

Background

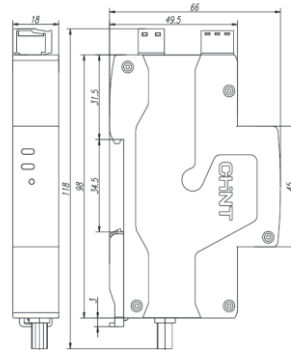
To address the issue of difficult RS485 wiring between the power sensor and the inverter, we have launched sub IG module. When used in conjunction with the existing power sensor, it can enable wireless communication.

Basic Information

Product Model	Product Code	Regions	Available time
Sigen Sensor SubIG Kit	14370003	Europe/South Africa/SEA	2025.04.20
Sigen Sensor SubIG Kit AU	14370004	Australia	2025.04.30

Datasheet

	Sigen Sensor SubIG Kit	Units
Working mode	AP(master device), STA(slave device)	
Communication method	RS485 / wireless communication	
Network protocol	IEEE 802.11ah	
Operating voltage	85 - 277	Vac
Maximum power	2	W
Operating temperature	-25 ~ 55	°C
Dimensions (W/H/D)	18 / 118 / 66	mm
Wireless frequency	868	MHz
Wireless transmission distance	≤ 200	m
Way to install	DIN35mm Rail mounting	



Compatibility

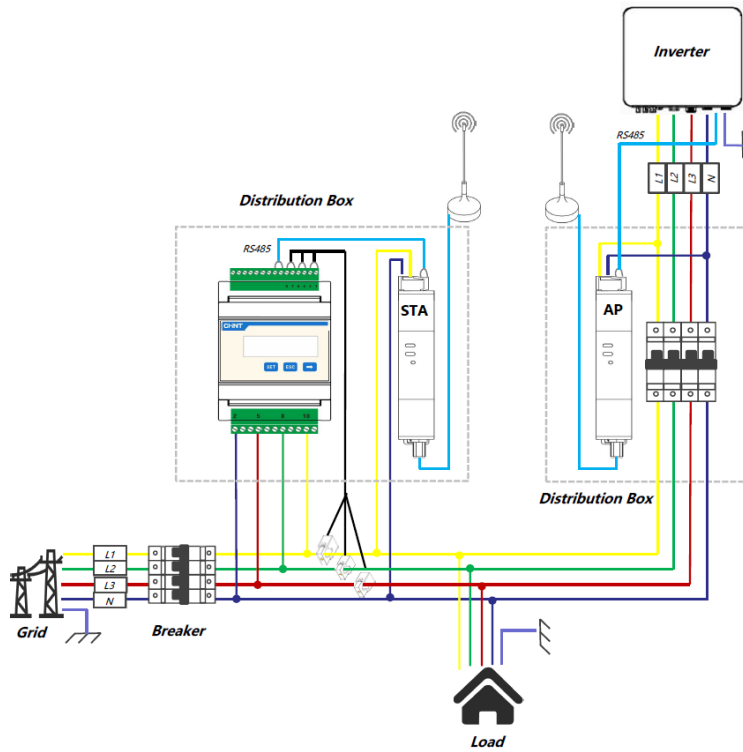
- Compatible with both Sigenenergy residential and C&I inverters



- Compatible with all Sigen Power Sensor

Notice – Sub IG module Launch

Wiring guide



Attachment

Quick Operation Guide